

# 52-CEILINGSTAR 050C

## LED CEILING LIGHT



- Housing** High purity extruded aluminum and anodized surface
- Diffuser** PMMA opal matte
- Light Source** SMD LED module
- Benefits**
  - Aesthetic design
  - Comfortable lighting appearance
  - High efficacy
  - Up and down lighting

### DESCRIPTION

The CEILINGSTAR 050C is a suspended ceiling light fixture with an extremely versatile solution for many indoor lighting needs. It is scalable sheet fixtures that can be both added to and moved along and are available in various lengths.

### APPLICATION

Suitable in high ceiling areas that requires aesthetic lighting, dining areas, lounges, living rooms.

### SPECIFICATION

	52-CEILINGSTAR 050C 60W	52-CEILINGSTAR 050C 90W	52-CEILINGSTAR 050C 120W
LED Chip	SMD 5050	SMD 5050	SMD 5050
LED Driver	Philips	Philips	Philips
Wattage	60W	90W	120W
Lumen@Source*	7800 lm	11700 lm	15600 lm
CCT**	3000K / 4000K / 6500K	3000K / 4000K / 6500K	3000K / 4000K / 6500K
CRI (Ra)	>80 and 3 SDCM	>80 and 3 SDCM	>80 and 3 SDCM
LED Life	50,000 hrs / L70	50,000 hrs / L70	50,000 hrs / L70
Working Ambient Temperature	50°C	50°C	50°C

\*Luminous Flux tolerance ±5% / \*\*CCT Tolerance ±5%

Data is subject to change without notice.



**ADDITIONAL OPTIONS**



Suspension  
Steel Wire

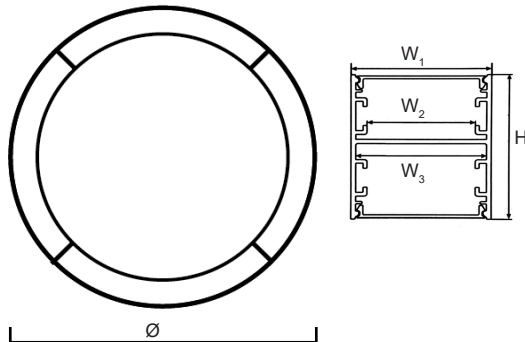


Hanging Bracket



Connectors

**SCHEMATIC**



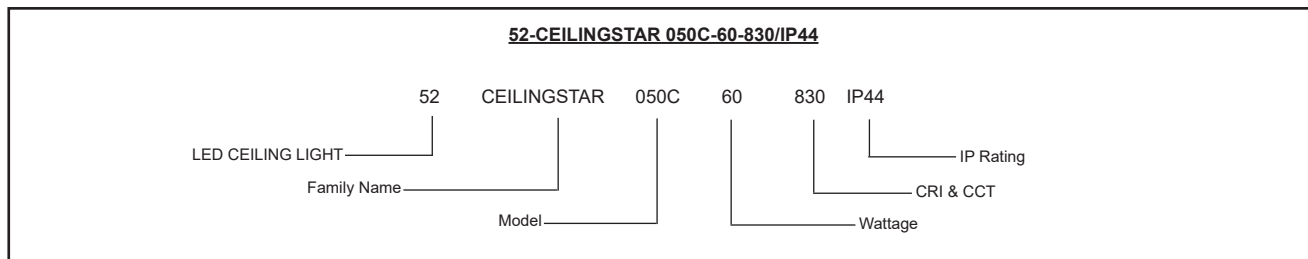
ORDERING CODE	Ø	W <sub>1</sub>	W <sub>2</sub>	W <sub>3</sub>	H
52-CEILINGSTAR 050C-60	900	54	41	50	60
52-CEILINGSTAR 050C-90	1270	54	41	50	60
52-CEILINGSTAR 050C-120	1800	54	41	50	60

Dimensions are in mm

**ORDERING GUIDE**

52-CEILINGSTAR 050C-60-830	60W	52-CEILINGSTAR 050C-90-830	90W	52-CEILINGSTAR 050C-120-830	120W
52-CEILINGSTAR 050C-60-840	60W	52-CEILINGSTAR 050C-90-840	90W	52-CEILINGSTAR 050C-120-840	120W
52-CEILINGSTAR 050C-60-865	60W	52-CEILINGSTAR 050C-90-865	90W	52-CEILINGSTAR 050C-120-865	120W

**ORDERING EXAMPLE**



LED CEILING LIGHT CEILINGSTAR 050C-60-830/IP44

Data is subject to change without notice.