

44-GROUNDSTAR

LED INGROUND



| | |
|---------------------|---|
| Housing | High pressure die-cast aluminum with stainless steel faceplate |
| Diffuser | Toughened glass |
| Light Source | Cree |
| Benefits | <ul style="list-style-type: none"> - Light body is designed to increase heat dissipation space - Instant on/off - Surface has an anti-corrosion capability - 50% less power consumption than traditional light sources - Precise optic design provides exceptional light control and precise distribution of light |

DESCRIPTION

GROUNDSTAR series are robust and compact luminaires use for outdoor applications. It provides ground level illumination by having the lights pointed up from the ground. The intent of such lights is to highlight points in the outdoor places such as architectural features or guide lights for walkways or paths.

APPLICATION

This in-ground lights are mainly used for areas such as building façades, monuments, architectural marks, landscape.

SPECIFICATION

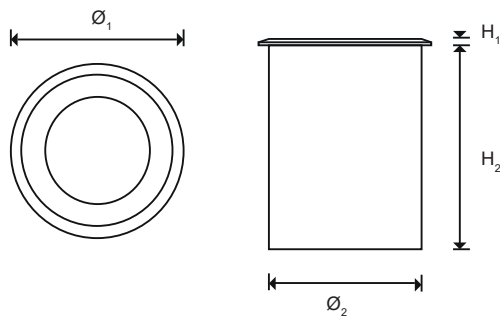
| 44-GROUNDSTAR 2120 | |
|-----------------------------|-----------------------|
| 3W | |
| LED Chip | Cree |
| LED Driver | DC 24V - Meanwell |
| Wattage | 3W |
| Lumen@Source* | 300 lm |
| CCT** | 3000K / 4000K / 6500K |
| Beam Angle | 120° |
| CRI (Ra) | >80 |
| LED Life | 50,000 hrs |
| Working Ambient Temperature | 55°C |

*Luminous Flux tolerance ±5% / **CCT Tolerance ±5%

Data is subject to change without notice.



SCHEMATIC



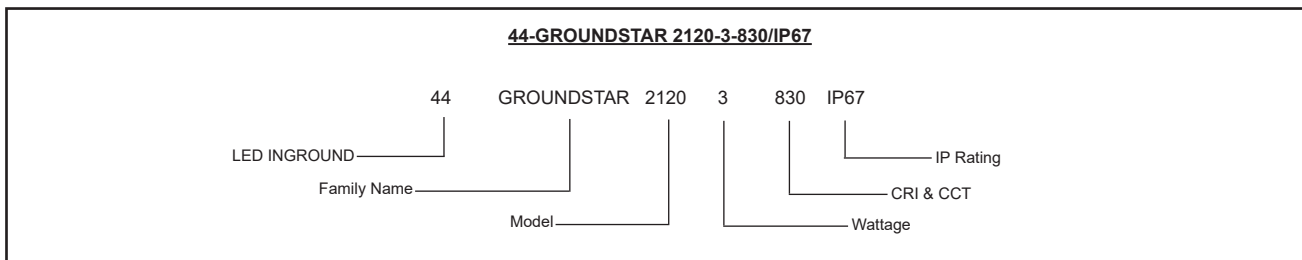
| ORDERING CODE | \varnothing_1 | \varnothing_2 | H_1 | H_2 |
|--------------------|-----------------|-----------------|-------|-------|
| 44-GROUNDSTAR 2120 | 80 | 70 | 4 | 95 |

Dimensions are in mm

ORDERING GUIDE

| | |
|--------------------------|----|
| 44-GROUNDSTAR 2120-3-830 | 3W |
| 44-GROUNDSTAR 2120-3-840 | 3W |
| 44-GROUNDSTAR 2120-3-865 | 3W |

ORDERING EXAMPLE



LED INGROUND GROUNDSTAR 2120-3-830/IP67

Data is subject to change without notice.