

43-FLOODSTAR

LED FLOODLIGHT



- Housing** Die-cast aluminum
- Diffuser** Tempered glass
- Light Source** Cree
- Benefits**
 - Adjustable projecting direction
 - Instant on/off
 - Excellent heat dissipation
 - 50% less power consumption than traditional light sources
 - Excellent consistency of light color
 - Easy to install and use
 - No UV or RF interference, no mercury or lead

DESCRIPTION

FLOODSTAR is a highly multi-purpose floodlight for the lighting of both outdoor and indoor installations wherever a compact design, environmental integration and a high protection degree required. Excellent lighting performance by well designed optical system.

APPLICATION

This flood light is widely used for areas like gardens, warehouse, workshop, billboards.

SPECIFICATION

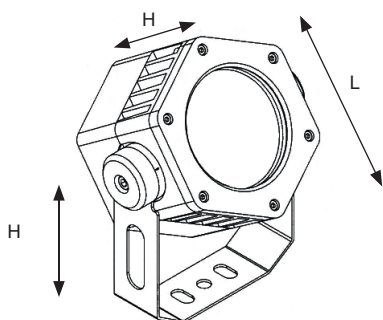
	43-FLOODSTAR 210 9W	43-FLOODSTAR 210 18W	43-FLOODSTAR 210 36W
LED Chip	Cree	Cree	Cree
LED Driver	Meanwell	Meanwell	Meanwell
Wattage	9W	18W	36W
Lumen@Source*	900 lm	1800 lm	3600 lm
CCT**	3000K / 4000K / 6500K	3000K / 4000K / 6500K	3000K / 4000K / 6500K
Beam Angle	10° / 20°	10° / 20°	10° / 20°
CRI (Ra)	>80 and 3 SDCM	>80 and 3 SDCM	>80 and 3 SDCM
LED Life	50,000 hrs / L70	50,000 hrs / L70	50,000 hrs / L70
Working Ambient Temperature	55°C	55°C	55°C

*Luminous Flux tolerance ±5% / **CCT Tolerance ±5%

Data is subject to change without notice.



SCHEMATIC



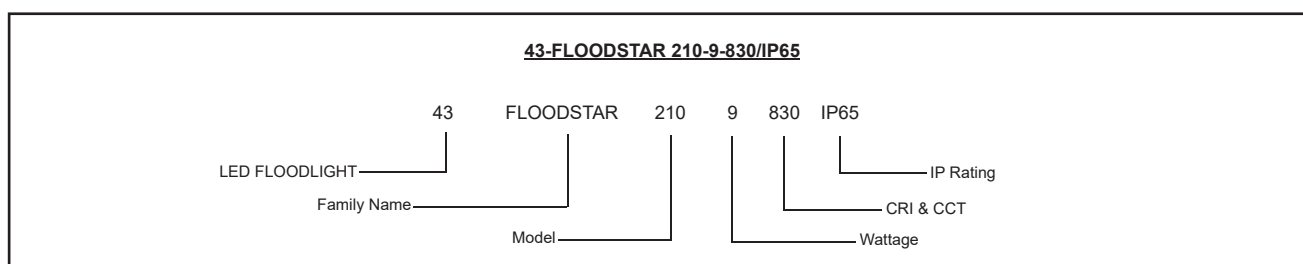
ORDERING CODE	L	W	H
43-FLOODSTAR 210 - 9W	105	90	100
43-FLOODSTAR 210 - 18W	130	95	120
43-FLOODSTAR 210 - 36W	155	100	135

Dimensions are in mm

ORDERING GUIDE

43-FLOODSTAR 210-9-830	9W	43-FLOODSTAR 210-18-830	18W	43-FLOODSTAR 210-36-830	36W
43-FLOODSTAR 210-9-840	9W	43-FLOODSTAR 210-18-840	18W	43-FLOODSTAR 210-36-840	36W
43-FLOODSTAR 210-9-865	9W	43-FLOODSTAR 210-18-865	18W	43-FLOODSTAR 210-36-865	36W

ORDERING EXAMPLE



LED FLOODLIGHT FLOODSTAR 210-9-830/IP65

Data is subject to change without notice.